

ABSOLUTE MAXIMUM RATINGS

Item	Symbol	Min.	Max.	Unit
Supply Voltage(Logic)	V _{DD} -V _{SS}	-0.3	6.0	V
Supply Voltage(LCD)	V _{DD} -V _O	-0.3	30.0	V
Input Voltage	V _I	-0.3	V _{DD} + 0.3	V
Operating Temp.	T _{opr}	-20	70	°C
Storage Temp.	T _{stg}	-30	80	°C

MECHANICAL DATA

Item	Nominal Dimensions	Unit
Module Size (W x H x T)	160.0 x 109.0 x 13.5	mm
Viewing Area (W x H)	122.0 x 92.0	mm
Dot Pitch (W x H)	0.36 x 0.36	mm
Dot Size (W x H)	0.33 x 0.33	mm
Weight	Approx. 220	g

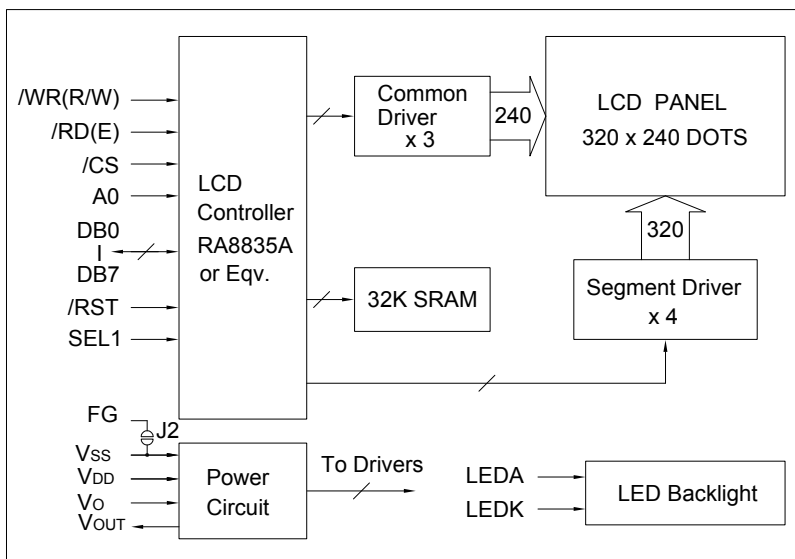
ELECTRICAL CHARACTERISTICS (V_{DD}=3.3V to 5.0V)

Item	Symbol	Test Condition	Min.	Typ.	Max.	Unit
Input High Voltage	V _{IH}	--	0.5V _{DD}	--	V _{DD}	V
Input Low Voltage	V _{IL}	--	0	--	0.2V _{DD}	V
Supply Current	I _{DD}	V _{DD} = 5.0V	--	35.0	70.0	mA
		V _{DD} = 3.3V	--	45.0	80.0	mA
LCD Driving Voltage	V _{DD} -V _O	T _a =25°C	--	22.7	--	V

PIN CONNECTIONS (CN1/CN2/CN3)

Pin No.	Symbol	Level	Function
CN2 CN3 1	15	VSS	0V GND
2	14	VDD	3.3V-5V Power supply for logic
3	17	V _O	-- Operating voltage for LCD
4	5	A0	H/L Data type selection
5	3	/WR(R/W)	H/L /WR for 80 MPU, R/W for 68 MPU
6	2	/RD(E)	H/L /RD for 80 MPU, E for 68 MPU
7	6	DB0	H/L
8	7	DB1	H/L
9	8	DB2	H/L
10	9	DB3	H/L
11	10	DB4	H/L
12	11	DB5	H/L
13	12	DB6	H/L
14	13	DB7	H/L
15	4	/CS	L Chip enable singal. Active "L".
16	1	/RST	L Reset signal. Active "L".
17	16	V _{OUT}	-22.0V Output voltage for LCD driving
18	18	SEL1	H/L L: 8080 MPU H: 6800 MPU
19	19	LEDA	+5V
20	20	LEDK	0V

BLOCK DIAGRAM



LED BACKLIGHT SPECIFICATIONS (T_a=25°C)

Item	Symbol	Typ.	Max.	Unit
Forward Voltage	V _f	3.1	3.3	V
Forward Current	I _f	150	--	mA
LED Color		White		