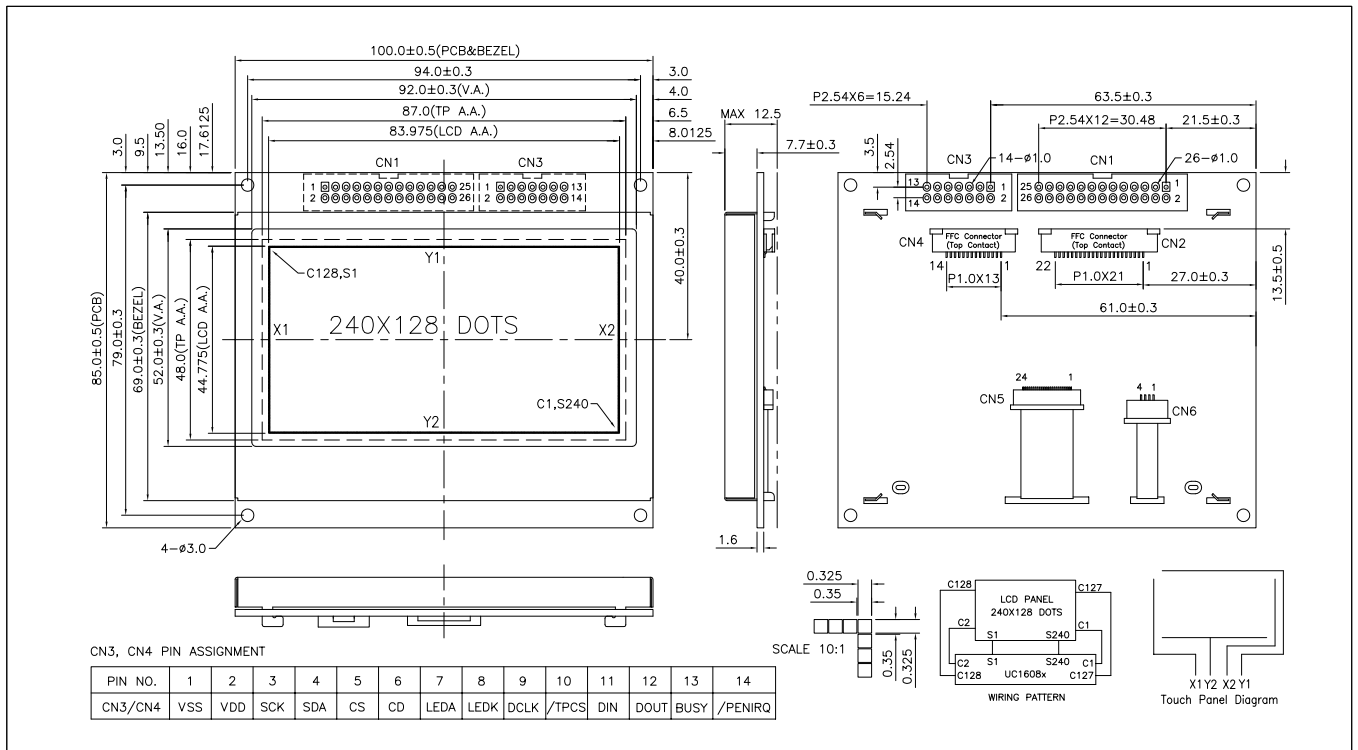


# LG2401286-DW-TPC

240 x 128 dots + white led backlight + touch panel + touch panel controller



## ABSOLUTE MAXIMUM RATINGS

Item	Symbol	Min.	Max.	Unit
Supply Voltage(Logic)	V <sub>DD</sub> - V <sub>SS</sub>	-0.3	6.0	V
Supply Voltage(LCD)	V <sub>LCD</sub> - V <sub>SS</sub>	-0.3	17.0	V
Input Voltage	V <sub>I</sub>	-0.3	V <sub>DD</sub> + 0.3	V
Operating Temp.	T <sub>opr</sub>	-20	70	°C
Storage Temp.	T <sub>stg</sub>	-30	80	°C

## MECHANICAL DATA

Item	Nominal Dimensions	Unit
Module Size ( W x H x T )	100.0 x 85.0 x 12.5	mm
Viewing Area ( W x H )	92.0 x 52.0	mm
Dot Pitch ( W x H )	0.35 x 0.35	mm
Dot Size ( W x H )	0.325 x 0.325	mm
Weight	Approx. 115	g

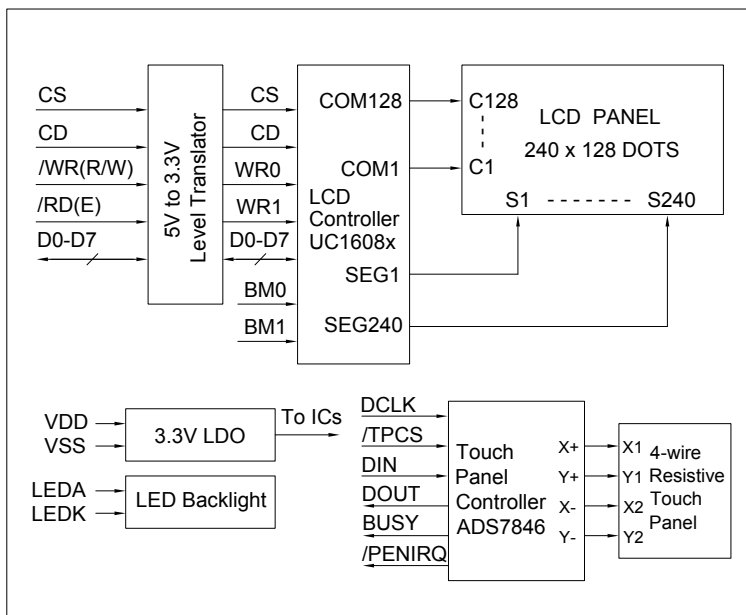
## ELECTRICAL CHARACTERISTICS ( V<sub>DD</sub>=3.3V to 5.0V)

Item	Symbol	Test Condition	Min.	Typ.	Max.	Unit
Input High Voltage	V <sub>IH</sub>	--	2.0	--	V <sub>DD</sub>	V
Input Low Voltage	V <sub>IL</sub>	--	0	--	0.8	V
Output High Voltage	V <sub>OH</sub>	I <sub>OH</sub> = -0.1mA	V <sub>DD</sub> -0.2	--	V <sub>DD</sub>	V
Output Low Voltage	V <sub>OL</sub>	I <sub>OL</sub> = 0.1mA	0	--	0.2	V
Supply Current	I <sub>DD</sub>	V <sub>DD</sub> = 5.0V	--	1.0	2.5	mA
LCD Driving Voltage	V <sub>LCD</sub> -V <sub>SS</sub>	T <sub>a</sub> =25°C	--	15.2	--	V

## PIN CONNECTIONS(CN1/CN2)

Pin	Symbol	Level	Function
1	V <sub>SS</sub>	0V	GND
2	V <sub>DD</sub>	3.3V-5V	Power supply for logic and booster
3	CD	H/L	H:Display data L:Instruction code
4	/WR(R/W)	H/L	/WR for 80 MPU, R/W for 68 MPU
5	/RD(E)	H/L	/RD for 80 MPU, E for 68 MPU
6	D0	H/L	Data bus
7	D1	H/L	
8	D2	H/L	
9	D3	H/L	
10	D4	H/L	
11	D5	H/L	
12	D6	H/L	
13	D7	H/L	
14	CS	H	Chip selection signal. Active "H".
15	LEDA	5V	Power supply for LED backlight
16	LEDK	0V	
17	DCLK	--	DCLK signal of ADS7846
18	/TPCS	--	/CS signal of ADS7846
19	DIN	--	DIN signal of ADS7846
20	DOUT	--	DOUT signal of ADS7846
21	BUSY	--	BUSY signal of ADS7846
22	/PENIRQ	--	/PENIRQ signal of ADS7846
23-26	NC	--	No connection

## BLOCK DIAGRAM



## LED BACKLIGHT SPECIFICATIONS (T<sub>a</sub>=25°C)

Item	Symbol	Typ.	Max.	Unit
Forward Voltage	V <sub>f</sub>	3.1	3.3	V
Forward Current	I <sub>f</sub>	90	--	mA
LED Color		White		