

### ABSOLUTE MAXIMUM RATINGS

Item	Symbol	Min.	Max.	Unit
Supply Voltage(Logic)	V <sub>DD</sub> - V <sub>SS</sub>	-0.3	7.0	V
Supply Voltage(LCD)	V <sub>DD</sub> - V <sub>O</sub>	-0.3	19.0	V
Input Voltage	V <sub>I</sub>	-0.3	V <sub>DD</sub> + 0.3	V
Operating Temp.	T <sub>opr</sub>	-20	70	°C
Storage Temp.	T <sub>stg</sub>	-30	80	°C

### MECHANICAL DATA

Item	Nominal Dimensions	Unit
Module Size ( W x H x T )	100.0 x 60.0 x 12.5	mm
Viewing Area ( W x H )	84.0 x 31.0	mm
Dot Pitch ( W x H )	0.41 x 0.41	mm
Dot Size ( W x H )	0.37 x 0.37	mm
Weight	Approx. 80	g

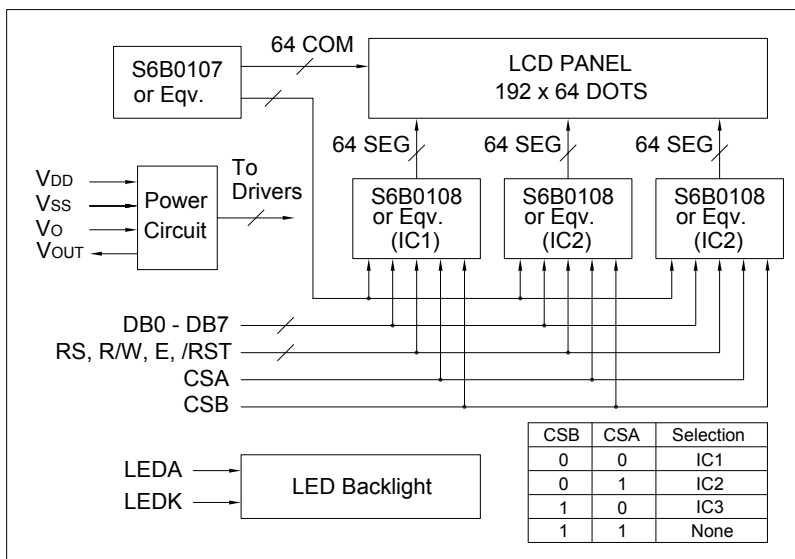
### ELECTRICAL CHARACTERISTICS ( V<sub>DD</sub>=5V±0.25V )

Item	Symbol	Test Condition	Min.	Typ.	Max.	Unit
Input High Voltage	V <sub>IH</sub>	--	2.0	--	V <sub>DD</sub>	V
Input Low Voltage	V <sub>IL</sub>	--	-0.3	--	0.8	V
Output High Voltage	V <sub>OH</sub>	I <sub>OH</sub> = -0.2mA	2.4	--	V <sub>DD</sub>	V
Output Low Voltage	V <sub>OL</sub>	I <sub>OL</sub> = 1.6mA	0	--	0.4	V
Supply Current	I <sub>DD</sub>	V <sub>DD</sub> = 5.0V	--	7.0	10.0	mA
LCD Driving Voltage	V <sub>DD</sub> - V <sub>O</sub>	T <sub>a</sub> =25°C	--	12.7	--	V

### PIN CONNECTIONS

Pin	Symbol	Level	Function
1	DB7	H/L	Data bus
2	DB6	H/L	
3	DB5	H/L	
4	DB4	H/L	
5	DB3	H/L	
6	DB2	H/L	
7	DB1	H/L	
8	DB0	H/L	
9	E	H, H>L	Enable Signal
10	R/W	H/L	H : Read L : Write
11	RS	H/L	H : Data L : Instruction code
12	V <sub>O</sub>	--	Operating voltage for LCD
13	V <sub>DD</sub>	+5V	Power supply for logic
14	V <sub>SS</sub>	0V	GND
15	CSA	H/L	Chip selection signal A
16	CSB	H/L	Chip selection signal B
17	V <sub>OUT</sub>	-10V	Output voltage for LCD driving
18	/RST	L	Reset signal. Active "L".
19	LEDA	+5V	Power supply for LED backlight
20	LEDK	0V	

### BLOCK DIAGRAM



### LED BACKLIGHT SPECIFICATIONS (T<sub>a</sub>=25°C)

Item	Symbol	Typ.	Max.	Unit
Forward Voltage	V <sub>f</sub>	3.1	3.3	V
Forward Current	I <sub>f</sub>	45	--	mA
LED Color		White		