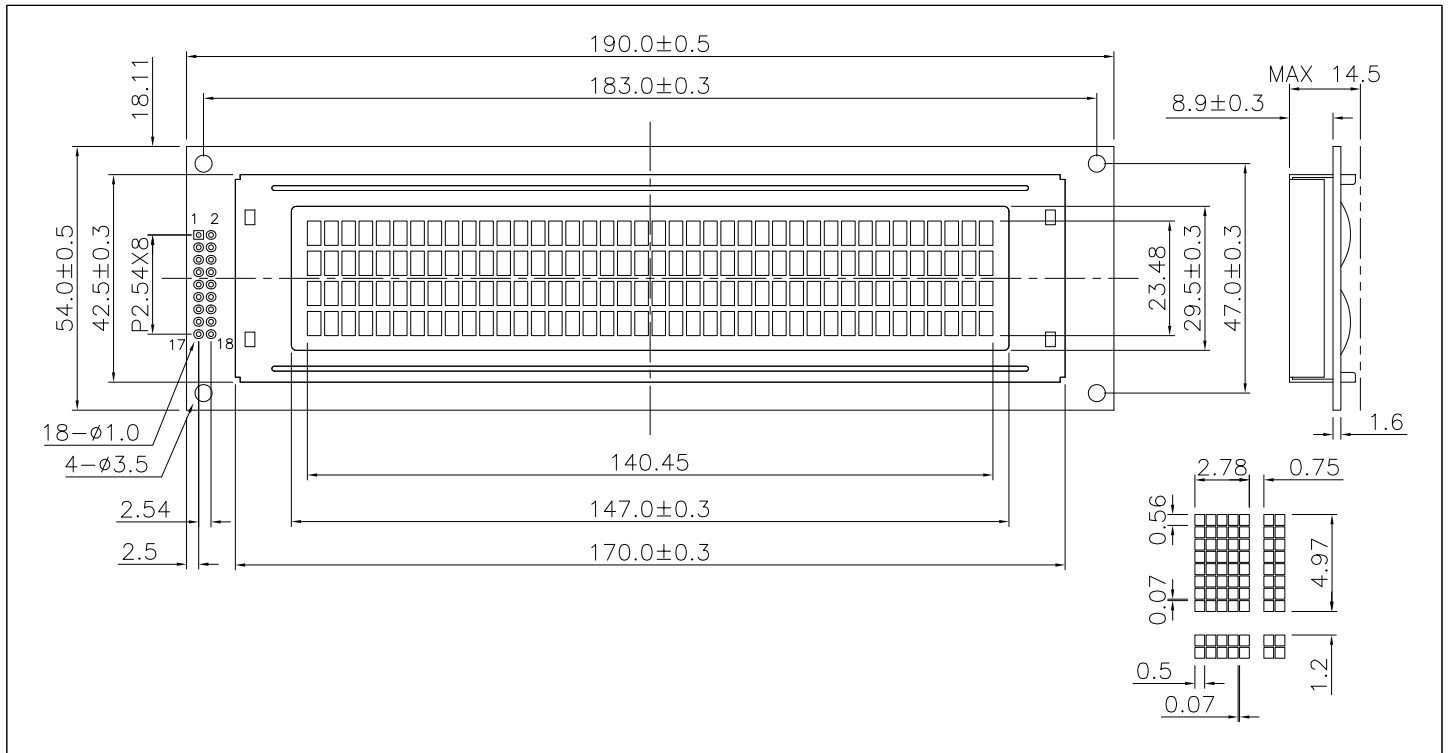


# LC4041-LY

40 characters x 4 lines + yellow green led backlight



## ABSOLUTE MAXIMUM RATINGS

Item	Symbol	Min.	Max.	Unit
Supply Voltage(Logic)	$V_{DD} - V_{SS}$	-0.3	7.0	V
Supply Voltage(LCD)	$V_{DD} - V_O$	-0.3	10.0	V
Input Voltage	$V_i$	-0.3	$V_{DD} + 0.3$	V
Operating Temp.	$T_{opr}$	-20	70	°C
Storage Temp.	$T_{stg}$	-30	80	°C

## MECHANICAL DATA

Item	Nominal Dimensions	Unit
Module Size ( W x H x T )	190.0 x 54.0 x 14.5	mm
Viewing Area ( W x H )	147.0 x 29.5	mm
Character Size ( W x H )	2.78 x 4.97	mm
Dot Size ( W x H )	0.5 x 0.56	mm
Weight	Approx. 125	g

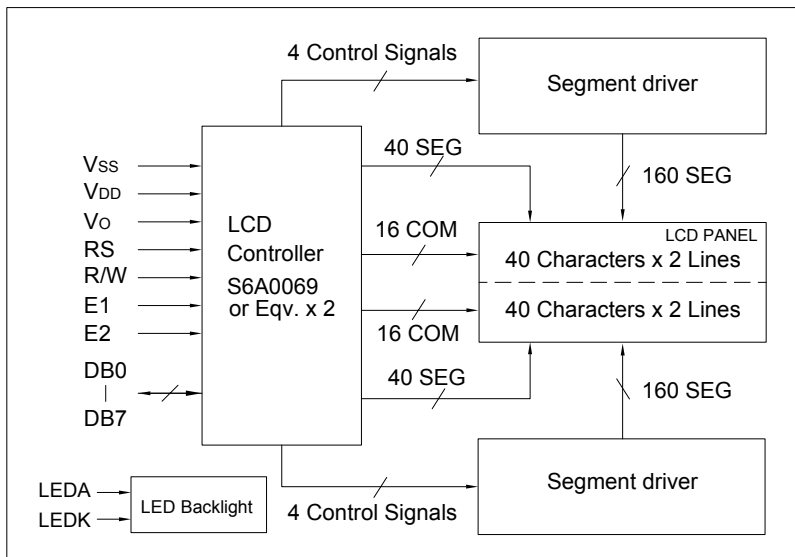
## ELECTRICAL CHARACTERISTICS ( $V_{DD}=5V \pm 0.25V$ )

Item	Symbol	Test Condition	Min.	Typ.	Max.	Unit
Input High Voltage	$V_{IH}$	--	2.2	--	$V_{DD}$	V
Input Low Voltage	$V_{IL}$	--	-0.3	--	0.6	V
Output High Voltage	$V_{OH}$	$I_{OH} = -0.2mA$	2.4	--	$V_{DD}$	V
Output Low Voltage	$V_{OL}$	$I_{OL} = 1.2mA$	0	--	0.4	V
Supply Current	$I_{DD}$	$V_{DD} = 5.0V$	--	3.0	5.0	mA
LCD Driving Voltage	$V_{DD} - V_O$	$T_a = 25^\circ C$	--	4.6	--	V

## PIN CONNECTIONS

Pin	Symbol	Level	Function
1	DB7	H/L	In 8-bit bus mode, used as high order bidirectional data bus. In 4-bit bus mode, used as both high and low order data bus.
2	DB6	H/L	
3	DB5	H/L	
4	DB4	H/L	
5	DB3	H/L	In 8-bit bus mode, used as low order bidirectional data bus. In 4-bit bus mode, open these pins.
6	DB2	H/L	
7	DB1	H/L	
8	DB0	H/L	
9	E1	H,H>L	Enable signal 1
10	R/W	H/L	H : Read L : Write
11	RS	H/L	H : Data L : Instruction code
12	$V_O$	--	Operating voltage for LCD
13	$V_{SS}$	0V	GND
14	$V_{DD}$	+5V	Power supply for logic
15	E2	H,H>L	Enable signal 2
16	NC	--	No connection
17	LEDA	+5V	Power supply for LED backlight
18	LEDK	0V	

## BLOCK DIAGRAM



## LED BACKLIGHT SPECIFICATIONS ( $T_a=25^\circ C$ )

Item	Symbol	Typ.	Max.	Unit
Forward Voltage	$V_f$	4.1	4.3	V
Forward Current	$I_f$	500	--	mA
Emission Wave Length	$\lambda_p$	568	--	nm