

ABSOLUTE MAXIMUM RATINGS

Item	Symbol	Min.	Max.	Unit
Supply Voltage(Logic)	V _{DD} - V _{SS}	-0.3	3.6	V
Supply Voltage(LCD)	V ₀ -XV ₀	-0.3	16.0	V
Input Voltage	V _i	-0.3	V _{DD} + 0.3	V
Operating Temp.	T _{opr}	-20	70	°C
Storage Temp.	T _{stg}	-30	80	°C

MECHANICAL DATA

Item	Nominal Dimensions	Unit
Module Size (W x H x T)	84.0 x 37.8 x 5.5	mm
Viewing Area (W x H)	61.4 x 28.3	mm
Dot Pitch (W x H)	0.42 x 0.38	mm
Dot Size (W x H)	0.40 x 0.36	mm
Weight	Approx. 20	g

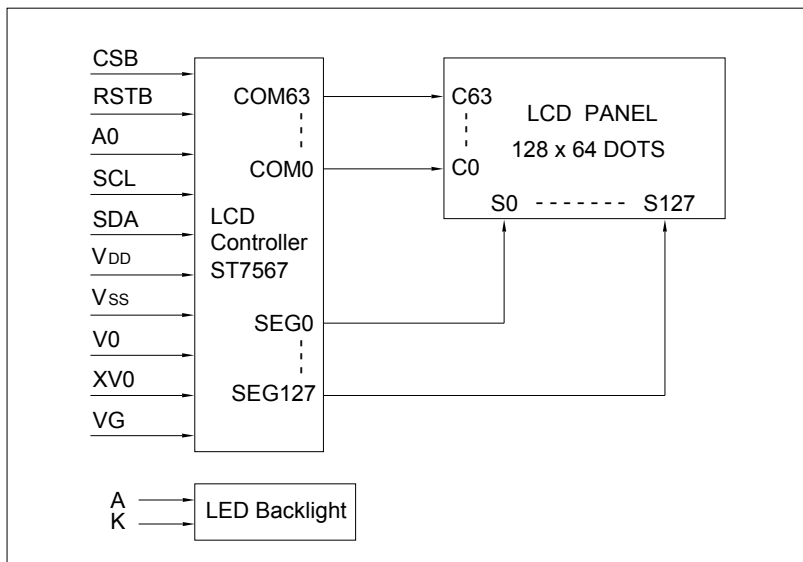
ELECTRICAL CHARACTERISTICS (V_{DD}=2.7V to 3.4V)

Item	Symbol	Test Condition	Min.	Typ.	Max.	Unit
Input High Voltage	V _{IH}	--	0.7V _{DD}	--	V _{DD}	V
Input Low Voltage	V _{IL}	--	0	--	0.3V _{DD}	V
Supply Current	I _{DD}	V _{DD} = 3.3V	--	0.3	0.6	mA
LCD Driving Voltage	V ₀ -XV ₀	T _a =25°C	--	9.0	--	V

PIN CONNECTIONS

Pin	Symbol	Level	Function
1	K	0V	LED backlight cathode
2	K	0V	LED backlight cathode
3	A	3V	LED backlight anode
4	A	3V	LED backlight anode
5	CSB	L	Chip selection signal. Active "L".
6	RSTB	L	Reset signal. Active "L".
7	A0	H/L	A0="H": Display data A0="L": Instruction code
8	SCL	H/L	Serial colck input
9	SDA	H/L	Serial data input
10	V _{DD}	2.7 to 3.4V	Power supply for logic
11	V _{SS}	0V	GND
12	V ₀	--	LCD driving voltage. Connect a 1uF/25V capacitor between V ₀ and XV ₀ .
13	XV ₀	--	LCD driving voltage. Connect a 1uF/25V capacitor between V ₀ and XV ₀ .
14	VG	--	LCD driving voltage. Connect a 1uF/25V capacitor between VG and V _{SS} .

BLOCK DIAGRAM



LED BACKLIGHT SPECIFICATIONS (T_a=25°C)

Item	Symbol	Typ.	Max.	Unit
Forward Voltage	V _f	3.0	3.2	V
Forward Current	I _f	30	--	mA
LED Color		White		